

*Safety Equipments  
For Xtreme Protection*

**CATALOG**  
2025 **F1**

**JAYCO**™  
**FPE** Safety First

## CORE PURPOSE

“To build a trustworthy legacy by achieving people’s happiness and thereby contributing to the development of the entire eco-system.”

## GOAL

“To achieve 500 crores turnover and have more than 50 regional & branch offices around the globe by 31st March 2027.”

# OUR VALUES



### Respect

Respect is a two-way street, if you want to get it, you’ve got to give it.



### Team Work

You will get everything in life you want, if you help others get what they want.



### Encouragement

A word of encouragement during a failure is worth more than an hour of praise after success.



### Take Challenges

Challenges are really just a test to see how much you deserve success.



### Commitment (Aspirational)

A successful person makes a habit of doing what the failing person doesn’t like to do.

# About Us

We are committed to provide better protection for your people. To sustain and surpass this commitment, we consistently Invest in the necessary resources and maintain close communications with our partners to meet your changing requirement.

Our resources Investments Includes working closely with supplier on new product Innovation and developments. This has made possible products that suit Indian Physiological profile with consideration on fitting, comfort, liking and condition of tropical climate.

We arrange free Live demonstration specially in Fall Protection/Height Safety/RescueSystems, confined places to understand the use of products.

**For LIVE DEMO contact: [info@jaycofpe.com](mailto:info@jaycofpe.com)**

# Our Esteemed Clients









## Fall Protection solution for following activities

- |  |  |
|--|--|
| <ol style="list-style-type: none"> <li>1. Facade / Window cleaning</li> <li>2. Scaffolding</li> <li>3. Confined space/ Waste water</li> <li>4. Anti corrosion coating</li> <li>5. Arborists</li> <li>6. Wind power</li> <li>7. Construction</li> <li>8. Elevating mobile work platforms</li> <li>9. Permanent fall arrester system</li> <li>10. Tele communication</li> <li>11. Police /Militancy/Special force</li> </ol> | <ol style="list-style-type: none"> <li>12. Flat roof</li> <li>13. Roofer/carpenter</li> <li>14. Lift construction</li> <li>15. Power supplies</li> <li>16. Rope courses</li> <li>17. Rescue [high rise building, Industries]</li> <li>18. Metal construction</li> <li>19. High rack</li> <li>20. Power transportation</li> <li>21. Offshore industries</li> <li>22. Rope access rigging</li> </ol> |
|--|--|

# INDEX

## Fall Protection Equipment



Height Safety Kits

08



Fall arresters, Rope and SRL Block

13



Vertical Fixed Line

14



Horizontal Fixed Line

18



Safety Sky Mesh

22



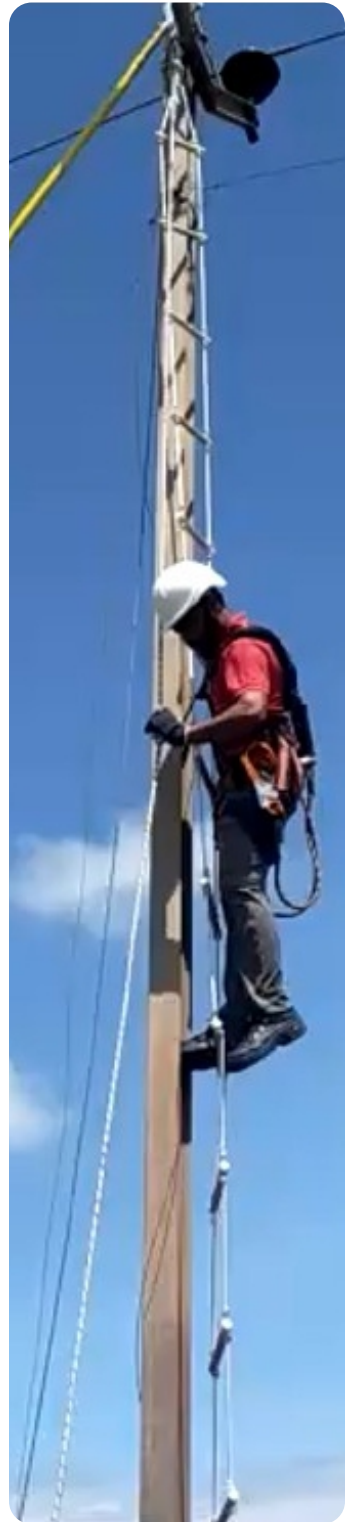
Walkway

24



Guard Rail

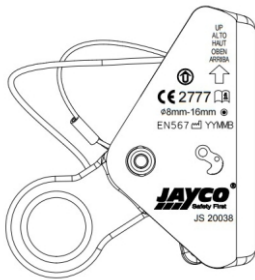
26





**JS 17010 - JAYCO Power Rescue device**

- Rope Length : 50 mtrs, 100 mtrs, 150 mtrs. also available as per custom length.
- MOC : Aluminum Steel
- Standard : ANSI Z359.4:2-13, EN 1496:2017-B, EN 341:2011-1A
- Capacity : 225 kgs (2 persons max)
- Descent speed : Approx 0.8 m/sec (Independent of descent load).
- Max Descent Height : 500 meters.
- Braking System : Automatic, Redundant brake system, 2 (centrifugal) Brake drums made from steel.
- Carabiner : Automatic dual action light weight aluminum carabiner.
- Rope : Any rope according to EN 1891-A may be used (from diameter 9.6mm - 11mm).
- Duration of use : Device unlimited, Rope max. 10 years.
- Rope guide exchange interval inspection : Regular checks depending on use (see instruction of use), but at least every 12 months.
- Test : Once a year (With seal pack, the test is only required every 10 years).



**JS 20038 Rope Grab** is catching device for victim to lean out of edging area and lifting by rescue device to release from life line.

- Material : Aluminum Alloy
- Standard finish : Anodized
- Rope Size : 8mm - 16mm
- Maximum web strap Size : 30mm

CE EN-567



**JS 20007 Edge Guard**

Edge Guard to divide and protect the rope.



**JS 20000 Carabiner**

- Material : Alloy Steel
- Gate Opening : 16 mm
- Minimum Breaking Strength : 23kN
- Conformity : EN-362:2004



**Bag for Rescue Kit**



**JS 19002 Webbing Lanyards**

- Material : Polyester Webbing
- Width : 44mm wide
- Conformity : EN 795: 2012

Rescue Kit with Power Drill



**JS 17011 - JAYCO Power Rescue device lifting with Power Drill**  
 (All in one system Descender, Rescue & Lifting Device)

- Rope Length : 50 mtrs, 100 mtrs, 150 mtrs. also available as per custom length.
- MOC : Aluminum Steel
- Standard : ANSI Z359.4: 2013, EN 1496: 2017-B, EN-341: 2011-1A
- Capacity : 225 kgs (2 persons max).
- Descent speed : Approx. 0.8 m/sec (independent of descent load).
- Max. Descent height : 500 meters.
- Braking system : Automatic, Redundant brake system, 2 (centrifugal) Brake drums made from Steel.
- Carabiner : Automatic dual action light weight aluminum carabiner.
- Rope : Any rope according to EN 1891-A may be used (from diameter 9.6mm-11mm).
- Rope guide exchange necessary Interval Inspection : Regular checks depending on use (see instruction of use), but at least every 12 months  
 Once a year (with Seal Pack, the test is only required every 10 years).
- Duration of use : Device unlimited, rope max. 10 years.



**JS 20038 Rope Grab** catching device for victim to lean out of edging area and lifting by rescue device to release from life line.

Material: Aluminum Alloy  
 Standard finish: Anodized  
 Rope Size: 8mm - 16mm  
 Maximum web strap Size: 30mm  
**CE** EN-567



**JS 20007 Edge Guard**  
 Edge Guard to divide and protect the rope.



**JS 19002 Webbing Lanyards** are made up of 44mm wide Polyester Webbing.  
 Conformity: EN - 795:2012



**JS 20000 Carabiner**  
 Material: Alloy Steel  
 Gate Opening: 19 mm  
 Minimum Breaking Strength: 23kN  
 Conformity: EN-362:2004



Bag for Rescue kit

**JS 26002 Power Drill Kit for Rescue Device**

The kit contains 2 Rechargeable batteries and 1 Battery Charger



Rechargeable Battery

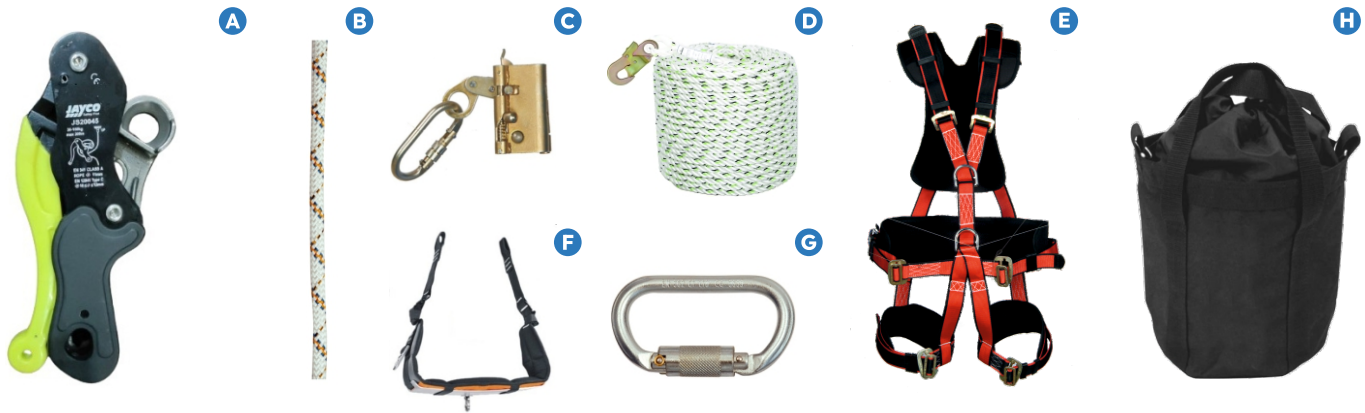


Charger



Power Drill

**JS 17003 Maintenance / Window Cleaning Kit (Only for descending)**



**A Jayco Descender (JS 20045)**

- Jayco Descender is a robust Descender & Belay Device.
- Its various application areas make the Descender your reliable companion for rope access and rescue (abseiling up to 225 kg load).
- With Descender, the belaying person can easily feed and take rope.
- When using the device correctly, it locks automatically in case of a fall.
- The Descender model with its unimpeded movement of the cam, is the ideal device for industrial purposes.
- It is equipped with a descent handle that ensures secured and controlled abseiling.
- As per EN 341: max./min. rated load: 30 - 180 kg;
- Max. descent height: 190 m; rope diameter: 11 mm
- Rope diameter: 11 m

**B Jayco Kernamental Rope (JS 22005)**

- C Jayco Fall Arrester / (JS 21001)**
- D Jayco Polyamide Rope (JS 22000)**
- E Full Body Harness Art No. (JS 18004) / (JSB160)**
- F Podium Chair - JSB 13 (JS 18016)**
- G JAYCO JSC - H6 Carabiner (JS 20000)**
- H Bag for above kit**



Pole Climbing Kit

**JS 17006 Pole Climbing Kit With FRP Rod**



**A JAYCO FRP Rod / ACS-0069 10/5 (JS 20010)**

FRP with foldable, length up to 10 m

**B Teles Fs110 (JS 20009)**

Steel Scaffold hook with self closing and self locking

**C Jayco Rope Ladder (JS 20013)**

Aluminum ladder with polyamide rope. Length : 10 meter

**D Jayco Fall Arrester (JS 20001)**

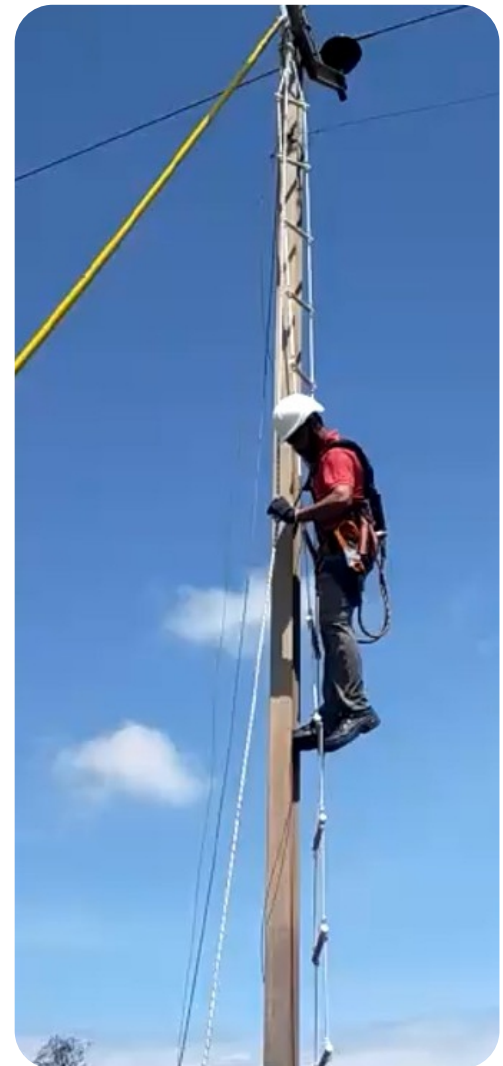
- The Fall arrester is used for 14 mm Polyamide rope.
- The Rope Grab Fall arrester is designed to prevent the worker from fall during ascend or descend.
- It is particularly used on the sloping roofs where the Self Retractable Lanyards don't work efficiently.
- To prevent corrosion, it is Zinc Plated.
- It has gravity pin, which prevents user to feed or load the Fall Arrester upside down.

**E Jayco Polyamide Rope (JS 22000)**

**F JS 18013 / JSB16**

- Adjustable shoulder & leg Strap with dual colour scheme for differentiation
- Two front textile loops for fall arrester.
- 44 mm Polyester Webbing with Min. Breaking Strength 25 KN
- Confirms To EN : 361:2002

**G Bag for above kit**



**JS 21014**  
**Jayco Fall Arrester - 14 mm**



- Standard: EN 353-2
- Material: Steel (ElectroGalvanized)
- Rope diameter: 14 mm
- Carabiner on the fall arrest
- device: OVAL STEEL

CE

**JS 210001**  
**Jayco Fall Arrester - 14 mm**



- The Fall arrester is used for 14 mm Polyamide rope.
- The Rope Grab Fall arrester is designed to prevent the worker from fall during ascend or descend.
- It is particularly used on the sloping roofs where the Self Retractable Lanyards don't work efficiently.
- To prevent corrosion, it is Zinc Plated.
- It has gravity pin, which prevents user to feed or load the Fall Arrester upside down.

**JS 22000**  
**Jayco Polyamide Rope**



- 14mm Twisted rope used for fall arrester JSF 777 A
- Polyamide rope.
- Available Length 50mtrs., 100mtrs., 150mtrs., 200mtrs. and 250mtrs.
- Customized Length also possible.

CE



**JS 24000 Retractable Type Fall Arrester Block**

- The Self Retractable Lanyard
- Fall Arrester Block has a plastic casing for easy winding of the wire rope.
- The wire rope has diameter of 5 mm and made up of SS 316.
- The anchorage point has been provided with Stainless Steel carabiner for avoiding the corrosion.
- The end has a swiveling snap hook with fall indicator.
- The block is EN 360 certified.

**Available Varients**

JS 24000 A - 5mtrs

JS 24000 B - 6mtr

JS 24000 C - 8mtrs

JS 24000 D - 10 mtrs

JS 24000 E - 12 mtrs

JS 24000 F - 15 mtrs

JS 24000 G - 20 mtrs

CE

## Rigid Line for Vertical Climbing

EN353-1:2014+A1:2017

CE 2927

Fall Safe Ladder on Transmission Tower



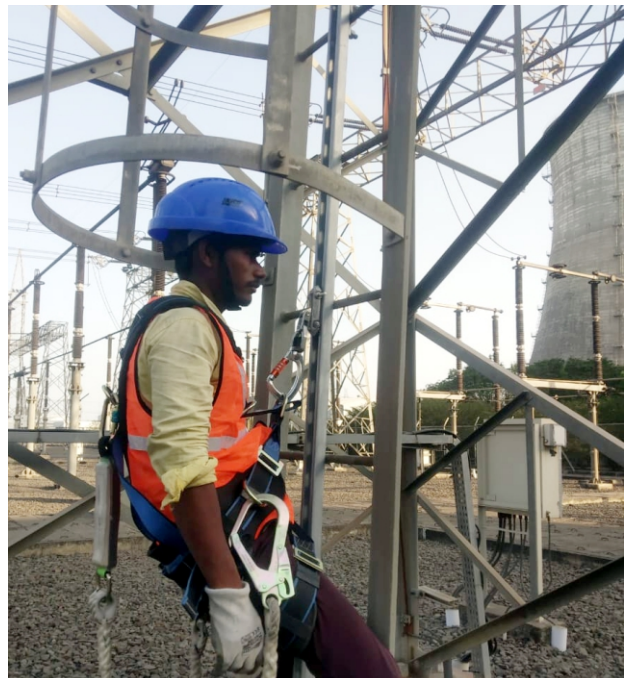
Fall Safe Ladder on Octagonal Tower



Fall Safe Ladder on Pole



Fall Safe Rail with Cage Ladder



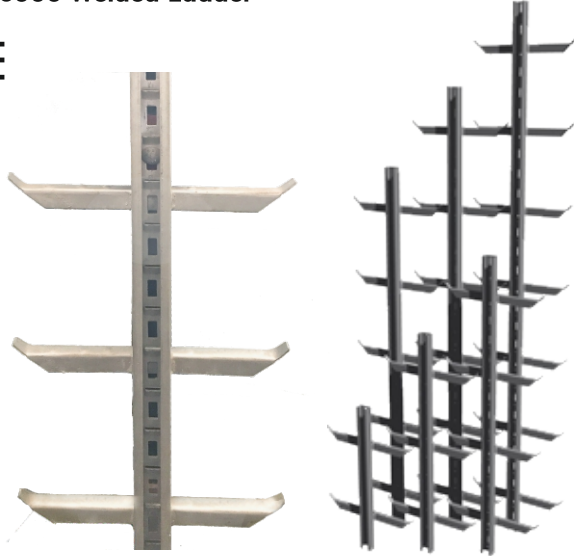
## Rigid Line for Vertical Climbing

EN353-1:2014+A1:2017

**CE 2927**

### JS 28000 Welded Ladder

CE



- Welded Safety Ladder for climbing purpose.
- The dimensional Profile of the ladder is 50 x 30 mm and 3 mm in thickness.
- The steps are welded circumferentially with state of facility, which prevents no dead area. No water pockets between the ladder profile and steps.
- The rung distance is 280 mm constant.
- Width of the step is 150 mm each side, for easy climbing.
- The steps has an anti-skid pins for better grips and prevention of slippage in wet conditions also.
- Complete safety Ladder is Hot Dip Galvanized for having good corrosion resistance properties.
- The coating of Hot Dip Galvanized has minimum thickness of 65 microns to 80 microns.
- The Guided type of Fall Arrester is used for the climbing.
- The complete system is EN 353-1:2014+A1:2017 certified.
- C-shape coupling is used to connect the ladders of different sizes.
- The maximum mounting bracket distance will 1680 mm.
- All the hardware (Mushroom bolts, Nuts and Spring washers) used for coupling, mounting brackets are also Hot Dip Galvanized.
- The Limit Clamp made of stainless steel with spring pin is fixed at the bottom and top of the ladder for restricting the movement of the Fall Arrester.

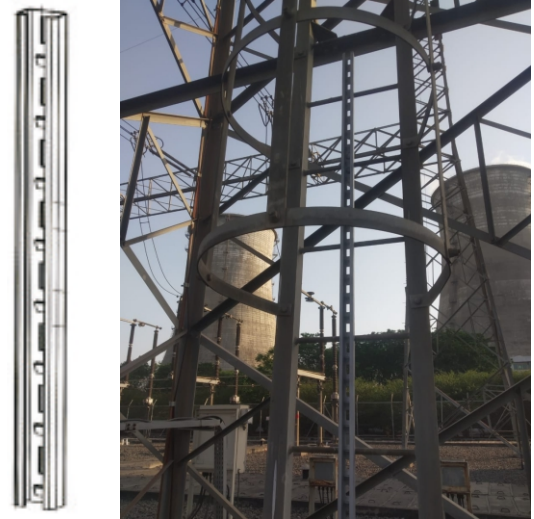
**Standard Size availability**

560 mm	1120 mm	2520 mm	3080 mm
--------	---------	---------	---------

Other customized sizes, if required, are available in multiples of 280 mm.

### JS 28001 Vertical C Type Rail

CE



- Vertical Rail "C" Type is fixed on the existing Vertical Monkey/Cage Ladder.
- The dimensional Profile of the Rail is 50 x 30 mm and 3 mm in thickness.
- Vertical rail is completely Hot Dip Galvanized for having good corrosion resistance properties.
- The coating of Hot Dip Galvanized has minimum thickness of 65 microns to 80 microns.
- The Guided type of Fall Arrester is used for the climbing.
- The complete system is EN 353-1:2014+A1:2017 certified.
- C-shape coupling is used to connect the rails of different sizes.
- The Vertical Rail is mounted using special brackets which is mechanically fixed on any shape or size of rungs.
- The brackets are mounted using mechanical clamps and no hot job is required for fixing the Rail to the existing structures.
- The maximum mounting bracket distance will 1680 mm.
- All the hardware (Mushroom bolts, Nuts and Spring washers) used for coupling, mounting brackets are also Hot Dip Galvanized.
- The Limit Clamp made of stainless steel with spring pin is fixed at the bottom and top of the ladder for restricting the movement of the Fall Arrester.

**Standard Size availability**

560 mm	1120 mm	2520 mm	3080 mm
--------	---------	---------	---------

Other customized sizes, if required, are available in multiples of 280 mm.

## Fall Arrester for Vertical Rigid Line

EN353-1:2014+A1:2017

CE 2927

**JS 28003  
HAS - ALU**



**JS 28003-B  
HAS Double Loop TEXT**

CE



### GUIDED TYPE FALL ARRESTOR

For A RIGID ANCHOR LINE WITH DOUBLE LOOPS AND INTERGREATED TEXTILES SHOCK ABSORBER

#### EN 353-1:2014+ A1:2017 CE 2927 NEW DIRECTIVE EU 2016/425 MODULE D CERTIFICATE.

- FALL ARRESTOR the runner at the fix guidance EN 353-1:2014+A1:2017
- Allows for fall-proof climbing up and down to any depth at installed vertical ladder.
- High durability due to big wheels and stable construction
- Very short arrest distances
- Re-generatic shock absorber
- Aluminium tri-lock swivel carabineer
- Smooth sliding attachment on chest and abdomen with textile shock absorber to avoid the fall back while ascending and descending.
- Wheel, steel capsuled ball bearing 16mm.
- Body milled of one block.
- Guided wheel top and bottom
- 360° swivel, movement 90° up and down, 180° left/right
- Safety pin against incorrect feed in at the rail port.
- Fall Arrester with single attachment or double attachment.

#### Application of Welded Ladder & Vertical Rail

- High mast
- Electric pole
- Railway Pole
- Transmission Tower / Pole
- Climbing on Roof & Other vertical Access



Scan QR code for product video

## Accessories for Vertical Rigid Line

EN353-1:2014+A1:2017

CE 2927

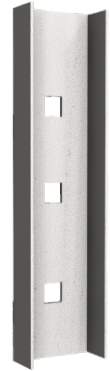
### End Stops

- It is installed at the Start and the End of the Vertical Rigid Lifeline.
- It has a Pull Pin, which enables the user to remove the Runner from the Rigid Lifeline.
- It is fixed with the help of the Mushroom Bolt.
- This will be installed in both - Ladder & Rail.



### Connection Plates

- The connection plate helps to join the two sections of the ladder.
- The ladder will be connected with this plates and tighten with the Mushroom Bolts. It's alignment enables
- This will be installed in both - Ladder & Rail.
- Material of Construction - Hot Dip Galvanised.



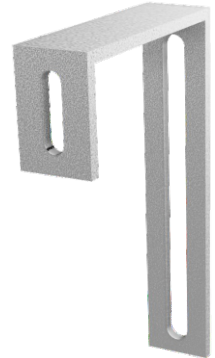
### Mushroom Bolt and Nut

- Special designed Mushroom head bolts are used to mechanically fasten the Vertical Rigid Lifeline.
- It also has a Square recessed at the top head under the Mushroom section.
- There will also be spring washer to absorb the vibrations while movement of the user and wind velocity.
- Size - M12 diameter Bolts.
- Material of Construction - Hot Dip Galvanised



### Bracket

- the Bracket is used to mount the ladder with the rigid structures.
- The distance between two Brackets shall be not more than 1600 mm.
- There is slot given at the front end, to align the Vertical Rigid line with the Brackets.
- This bracket can be used for the RCC Columns, sections, structures.
- All the brackets will be installed using the mechanical Fasteners - Mushroom bolts.
- No Hot Job - Welding, puncturing the structures, etc. needed to fix the Brackets to the Lifelines.
- Material of Construction - Hot Dip Galvanised.
- Customised Bracket can be designed, based on the complexity of the structures



### Foot Rest

- Pedestal Foot rest can be provided at certain intervals.
- The Foot Rest will be connected with the hinges, which will be folded inside in normal case, only in case of resting, that can be opened.
- The Foot rest has an anti- skid surface, to avoid the slippage.
- The Foot rests are installed at the intervals of the 15 meters to 20 meters, to improve the efficiency of the user.
- Material of Construction - Hot Dip Galvanised.



### Clamps for Vertical Rail

- The rail will be installed on the existing ladders/ monkey Ladders, with the Clamps.
- The Clamps are of Hot Dip Material.
- The size of the Clamps is based on the Rung size of the existing Ladders.
- The distance between two Clamps shall not be more than 1600 mm.
- The clamps will be installed using the mechanical Fasteners - Mushroom Bolts, Nuts and spring washers. No welding, Drilling, puncturing of the Structures.



# Horizontal Fixed Line



EN 795 C:2012 and  
 CEN/TS 16415:2013  
 ATEX Approved

# Horizontal Fix Life Line



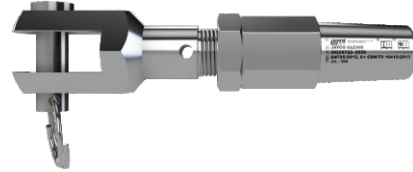
Certified for 

## JS 29004-A JHL-1007 Tensioner



- Jayco Tensioner is used for pre- tensioning the line.
- It is fixed at the start of the line.
- It has inbuilt turn buckle to adjust the tension in the wire rope and swageless end terminal with 4 jaws SS collet to hold the wire firmly.
- There is wire rope feed indicator to check the correctness of cable all the time.
- If found damaged or displaced after jerk or fall dont use the line.
- The Tensioner has an indicator on the body to check the correctness of the turn buckle threads.
- The Tensioner is built of SS 316.

## Art No. JS 29004-B JHL-1008 Swagless End Terminal (Clevis loose)



- Jayco Clevis is used to hold the wire at the other end.
- Clevis also have swageless end terminal with 4 jaws SS collet to hold the wire firmly.
- It also has wire rope indicator to check the correctness of the cable all the time.
- If found damaged or displaced after jerk or fall, dont use use the line.
- Clevis is made of SS 316.

## JS 29004-C JHL-TIB-8 Intermediate

- Jayco Intermediate is used to avoid of the sagging of the lifeline.
- It helps the wire to be in tension and sag fully.
- The wire will be passed through the intermediate and runner will slide over the intermediate.
- The maximum Span of 15 meters is possible to install for 4 users working simultaneously on the line.
- The Intermediate has 5 orientation inclination for adjusting on the any structures.
- The Intermediate is made of SS 316 grade.



## JS 29004-D JHL-TIBC8 - 90° Curve



- Jayco 90 degree Curve is used to allow the line to install the line in L shape.
- The wire passes through the hollow pipe of 90 degree curve and JHL Runner glides over the Curve post.
- The Curve is made of SS 316 grade.
- The Curve can be fixed to any structure using M16 nut, bolt and washers.

## JS 29010-E JHL-FL Shock Absorber (Force Limiter)



- Jayco Force Limiter is used to absorb all type of shock occurring during the real falls.
- The Force Limiter should restrict the load at 6kN on the users.
- The shock absorber is made of SS 316 grade 5 mm plate, laser cut in the spiral form.
- In the event of real Fall, the Force Limiter can deform, expand or twist.
- It has a Casing cover of ABS plastic material, for printing all the necessary information

## JS 29010-F JHL - Runner

- Jayco Runner is used to travel seamlessly along the line from Start Point to End Point of the lifeline.
- The user doesn't have to detach himself from the line at any given point of time.
- The Runner is made of SS 316 grade and it's a part of PPE.
- The Runner glides smoothly over the Intermediate and 90 degree corner post.
- The Runner is designed in such a way that user has to compulsory use both his hands deliberately to open and close the Runners.



EN 795 C:2012 and  
CEN/TS 16415:2013  
ATEX Approved

# Horizontal Fix Life Line



Certified for 

## JS 29004 - H JHL-1000 CABLE (SS Wire Rope)

- Jayco Wire is made of SS 316 grade.
- The diameter of the wire is 8 mm.
- The minimum Breaking Strength of the wire is 40kN.
- The max cable length available is 500 mtrs.
- The wire used is of 7 x 7 strands.



## Art No. JS 20003 Pulley

- The Tandem Pulley is used for the Loading and Unloading lifeline installed over the head.
- The Pulley has Stainless Steel grade sheaves inside and outer body is made of Aluminium anodised.
- The Pulley is used where there is no Intermediate installed on the Line.



## JS 29100 JHL - CX-TR-150 Roof Post Rivet Type

- Jayco Extremity or Intermediate post is used to mount the Lifeline on the roof.
- This Post is used for the Trapezoidal profile of roofs.
- The post is mounted with 16 sets of Aluminium Trifold Rivets of 7.8 mm diameter with self EPDM washers.
- The shear strength of each rivet is 6 kN.
- EPDM washer ensures there is no water leakage from the roofs.
- The Post is made of SS 316 grade material.
- This Post is tested for load on both X & Y Axis.



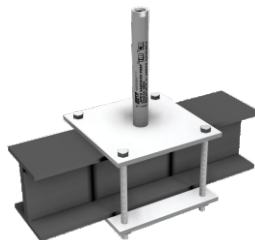
## JS 29101 JHL - CX-TR-450/600 Roof Post Allen Key Type

- Jayco Extremity or Intermediate post is used to mount the Lifeline on the roof.
- This Post is used for the Standing Seam profile of roofs. The Post is made of SS 316 grade material.
- There will be no puncturing of the roofs.
- The Post shall be mounted using the 4 sets of Aluminium profile brackets with 3 Grub screws on each brackets.
- The pitch of standing roofs can be in the range of 450 mm to 600 mm.



## JS 29102 JHL-SP-PL-XXX Sandwich Post

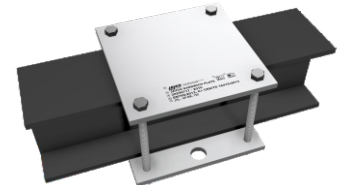
- Jayco Sandwich post is used to mount the life line on Column, Ridge, Rafter or Purlin.
- The post will be sandwich between bottom plate and top plate.
- The top plate has projected pipe of 300 mm height, circumferentially welded at the bottom and surface of the plate.
- The thickness of plate is 8 mm thick and all made of SS 316 grade.
- The top part of the pipe has tapping of M16 for fixing of the other particles.
- The size of the post varies according to the structure dimension and SS studs, nuts and washer are used to hold firmly the post.



JS 29102 A	JHL-SP-PL- 150	150X150X8 mm thick
JS 29102 B	JHL-SP-PL- 200	200X200X8 mm thick
JS 29102 C	JHL-SP-PL- 250	250X250X8 mm thick
JS 29102 D	JHL-SP-PL- 300	300X300X8 mm thick

## JS 29103 JHL-SP-BR-XXX Sandwich Plate

- Jayco Sandwich plate is used to mount the life line on column or Purlin or Rafter or Ridge.
- The plate will be sandwich between bottom plate and top plate.
- The thickness of plate is 8 mm thick.
- The size of the plate varies according to the structure dimension and SS studs, nuts and washer are used to hold firmly the plate.
- The Sandwich Plates are made of SS 316 grade.



JS 29103 A	JHL-SP-BR-150	150X150X8 mm thick
JS 29103 B	JHL-SP-BR-200	200X200X8 mm thick
JS 29103 C	JHL-SP-BR-250	250X250X8 mm thick
JS 29103 D	JHL-SP-BR-300	300X300X8 mm thick

EN 795 C:2012 and  
 CEN/TS 16415:2013  
 ATEX Approved

## Horizontal Fix Life Line



Certified for 

### Cantilever Pole (L- Shaped):

- The L- Shaped Cantilever Pole is used to install the Horizontal Lifeline for the Loading Unloading areas in open areas.
- The Cantilever of 2.5 metres can be extended maximum in length.
- The Height of the Cantilever Pole shall be 6 mtrs, above the ground level.
- The Cantilever Point shall withstand the load of minimum 15kN
- Material of Construction is M.S, with red oxide and Industrial Paint.
- This can be welded into single piece or can be shipped in 2 different parts, as per customer choice.



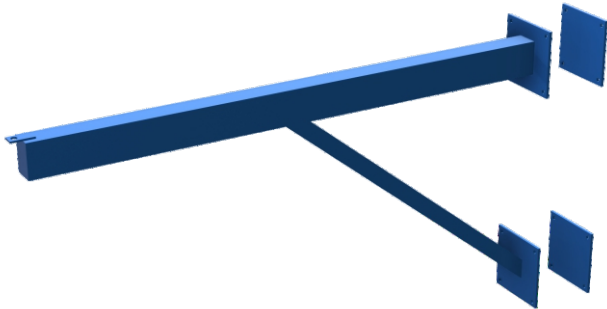
### Cantilever Pole (T – Shaped):

- The T - Shaped Cantilever Pole is used to install the Horizontal Lifeline for the Loading Unloading areas in open areas, enabling 2 vehicles simultaneously.
- The Cantilever of 2.5 metres can be extended maximum in length.
- The Height of the Cantilever Pole shall be 6 mtrs, above the ground level.
- The Cantilever Point shall withstand the load of minimum 15kN.
- Material of Construction is M.S, with red oxide and Industrial Paint.
- This can be welded into single piece or can be shipped in 2 different parts, as per customer choice.



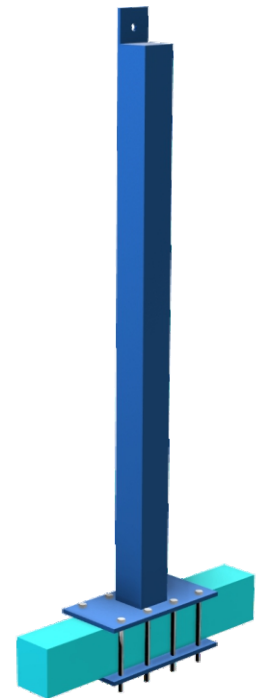
### Cantilever Bracket:

- The Cantilever Bracket is used where the existing Structure/ Beam or Pole is present.
- The Cantilever Bracket can be extended upto 2.5 mtrs. maximum Length.
- The bracket can be welded to the existing structure or can be anchored mechanically using the mechanical Fasteners (Studs and nut).
- Material of Construction is M.S, with red oxide and Industrial Paint.



### Pole for Pipe racks:

- The Tubular robust Pole will be erected on the existing Pipe Rack structure to mount the Horizontal Lifeline.
- The base plate will be anchored to structure with the sandwich plate and clamped firmly using the mechanical Fasteners – Studs and Nuts.
- The top of the pole will have a bracket to mount the components of the Lifeline.
- The maximum height of the Pole can be 1.5 mtrs.
- Material of Construction is M.S, with red oxide and Industrial Paint.





**JS 35000  
Safety Sky Mesh**

**The Myth – Of Fall**

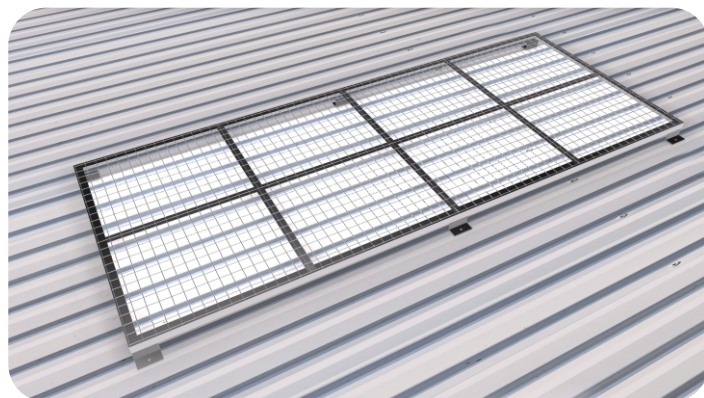
Most of the workers and Engineers have a mind-set of the Fall happening from the perimeter of the Roofs. But they forget the Deadliest portion of the Roofs are the Ventilated Sky Light area's. This are the Fragile Polycarbonate sheets installed at intervals of the roof for better ventilation in the Plant area. But due to the environmental dust, the sky mesh and the metal roof sheets are very much look alike. So user often mistakes by stepping on the Fragile sky mesh. This results in the Fatality as the polycarbonate sheets are very fragile.

**The Engineering Solution - Safety Sky Mesh:** \_\_\_\_\_

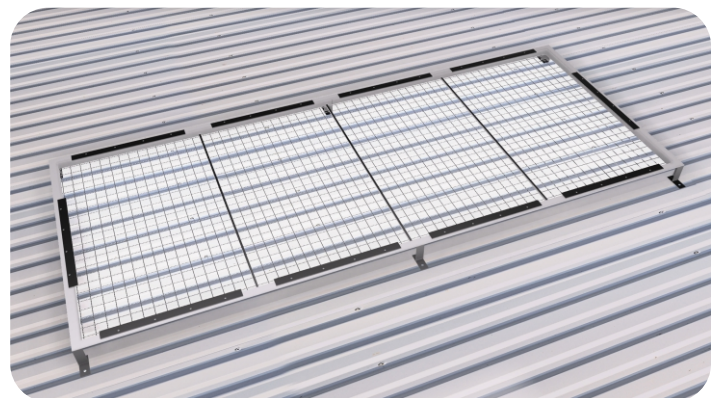
Safety Sky Mesh designed as per BS EN 1873:2014. The basic requirement of the standard is 50 kgs object is free fall from the height of 2.5 meters on the weakest section of the sky mesh. Due to fall the Mesh shall not be deformed to more than 300 mm sphere.

**Variants:** \_\_\_\_\_

JS 35000 Welded SKYMESH - Hot Dip Galvanised.



JS 35500 Retro Fitting on site - Hot Dip Galvanised.



**Various sizes available:**

2 m x 1.2 m | 3 m x 0.65 m | 3 m x 1.2 m | As per customer requirement

## Advantages:

---

### Durability:

All components and mesh panels are hot dip galvanised to more than 70 microns for enhanced durability.

### Easily Installed:

Kee Cover is a component based system, allowing ease of transport of components to the roof and easy assembly on site.

### Multiple Skylight Dimensions:

The system can be used on a wide variety of dimensions of the rooflights. Variable dimensions enables to caters for different shaped Skylights be of any length.

### Elevated sections:

This provide the swift and periodic cleaning of the sky light. This will also prevent the breakage of Fragile roof sheet frequently. The user can also visually see and avoid the chances of Falling or tripping.

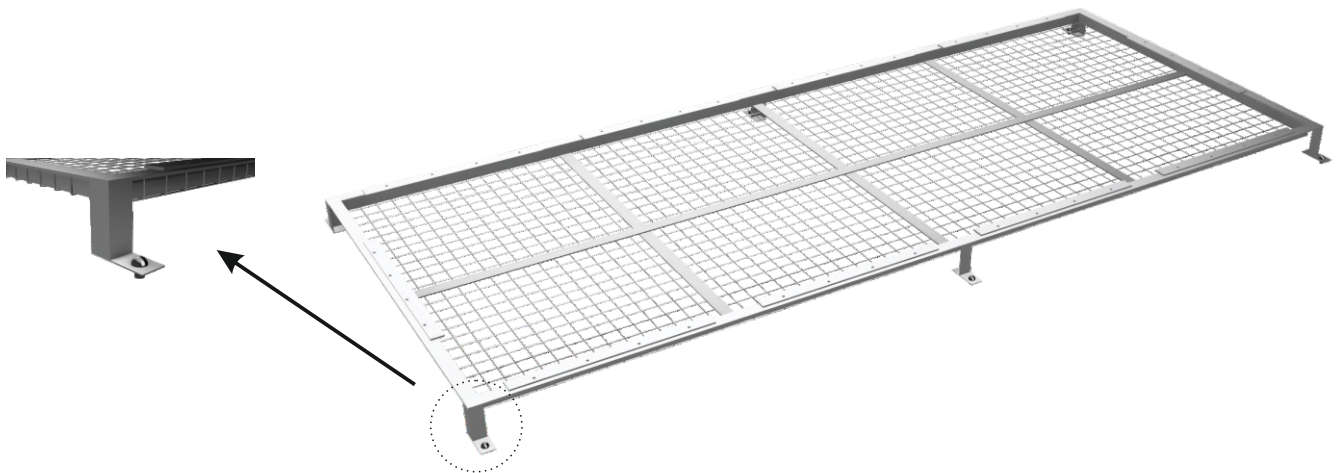
### Light Gets Through:

The GI mesh of 50 x 50 mm square with the rod of 3 mm diameter, enables the light passing through gently without any blockages. The plant area is well illuminated.

## Fixing Mechanism on the Trapezoidal Roof:

---

With the help of the Rivet/ Self Tapping Screws.



**JS 36000  
Walk Ways**



**Rooftop Aluminum Walkway**

Aluminium roof walkway system is easy to install and designed to meet international safety standards. Walkways that go above and beyond Jayco FPE provides a walkway that is safe, anti-slip and levelled for workers who works on the roof. The state of art design protects the roof surface from unnecessary damage and integrates easily with either Horizontal lifeline systems or with Guardrail.

**Advantages:**

**Suitable for All Roofs:**

We developed the EN certified Walkway for all the roof types including trapezoidal profile composite or built up and standing seam metal roofs. It can be used on flat, barrel, or sloping roofs, with steps and a traverse option so you can create access to virtually any roof configuration from 0 to 45 degrees.

**Protector of Workers and the Roof Structures:**

Our designers have developed Walkway to give you total flexibility in creating safe access to all areas of a roof. The anti-Skid Profile, prevents the worker from slippage. Not only does it protect those accessing the roof, but it also protects the roof sheet also.

**Easy to Install:**

The walkway are manufactured and supplied in the range of 1 meter to 3 meters length. The Width of the walkway can be decided by the customer. There are no unique parts needed.

**No Welding Needed:**

Made from tubular rectangular pipes of standard grade fittings and standard modules so it can be installed on-site without any welding.

**Long Lasting:**

Manufactured from aluminium grade, so light weight on the roof as well more durable, good strength and corrosion resistant.

**Certification:**

Walkway is tested to EN 516:2006, the European standard for the test requirements of roof access walkways.

This includes measuring the deflection and residual deformation under specified loads.

For Class1 and all 3 Types. (TYPE A – 250 mm; TYPE B – 350 mm; TYPE C – 430 mm)

**Aluminum Walkway Variants:**

Model No	Width	Type	Model No	Width	Type
JS 36001	250 MM	TYPE A	JS 36004	400 MM	TYPE B
JS 36002	300 MM	TYPE A	JS 36005	430 MM	TYPE C
JS 36003	350 MM	TYPE B	JS 36006	450 MM	TYPE C

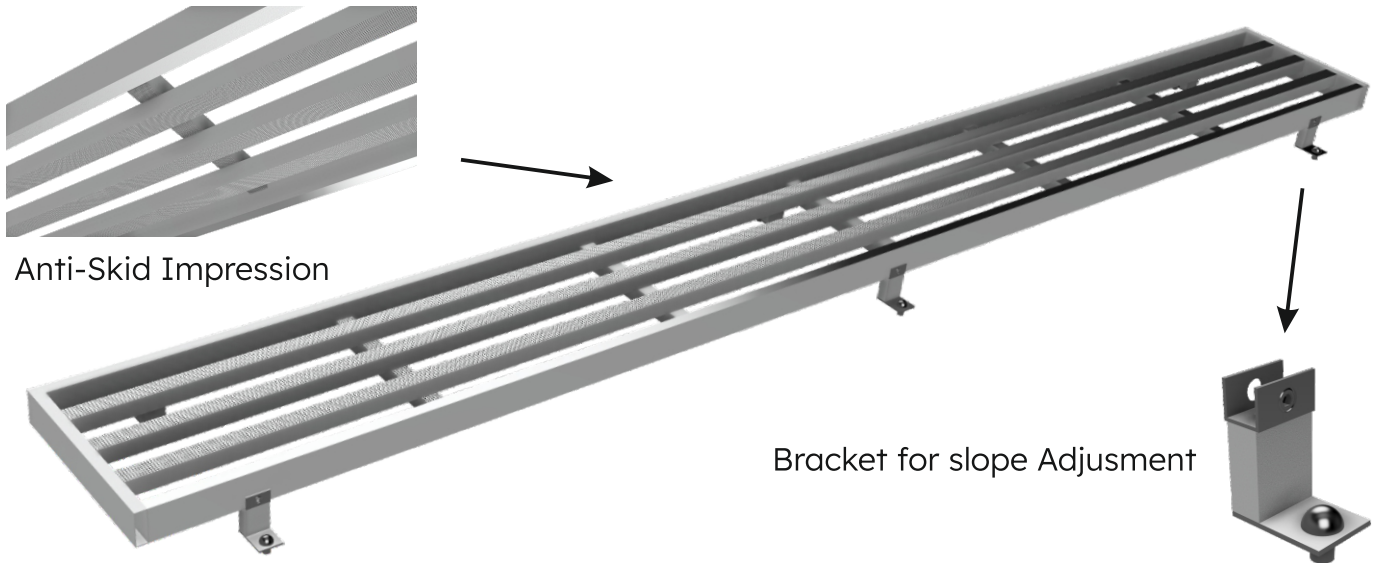
**Available Length:**

500mm to 3000mm

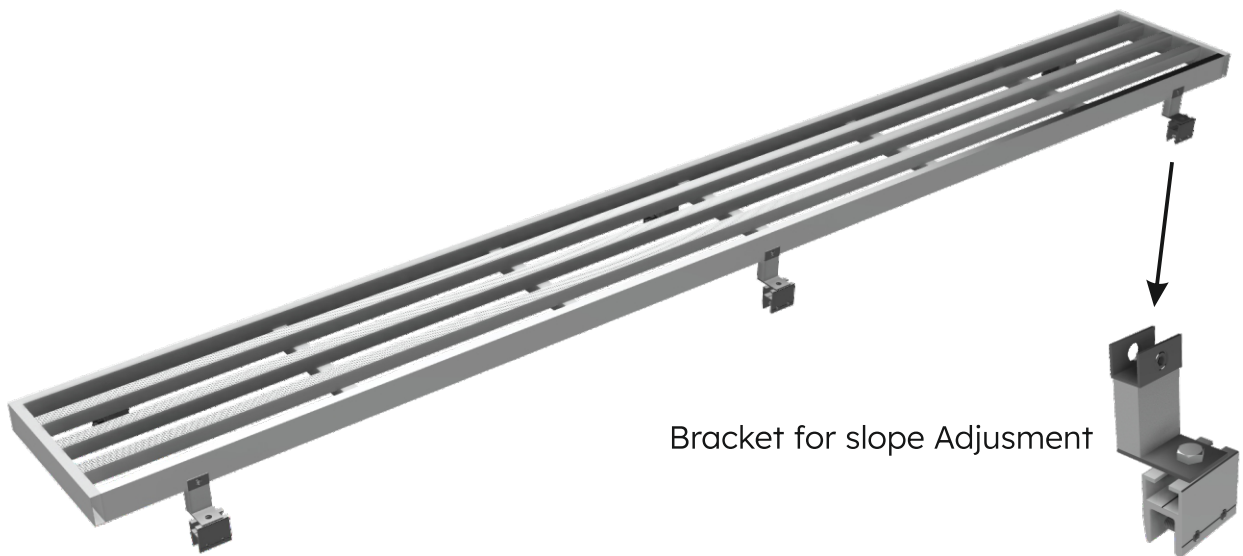


## Fixing Mechanism on the Trapezoidal Roof: \_\_\_\_\_

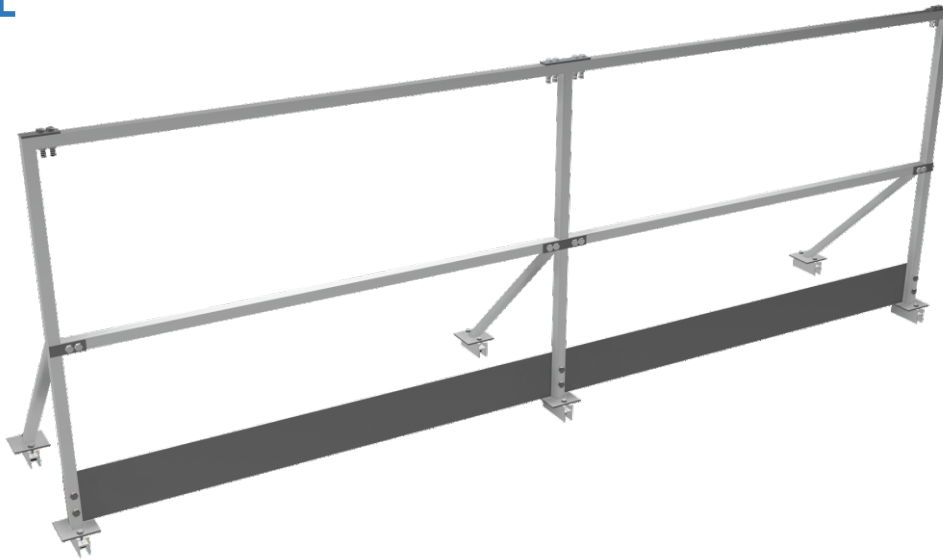
With the help of the Rivet/ Self Tapping Screws.



## Fixing Mechanism on the Standing Seam Roof: \_\_\_\_\_



## JS 37000 GUARD RAIL



- Guardrail for metal roofs is an Engineering upgrade on the roofs, to prevent the fall while Working at Height.
- The Guard rail can be designed to install on to both Standing seam and Trapezoidal metal roofs by creating the safe perimeter to work.
- It is a durable safety railing solution.
- This is designed as per OSHA standard. The top railing will be at 1050 mm and mid rail will be at the height of 525 mm.
- The toe guard of 150 mm height is attached to the bottom to prevent falling of tools or tackles.

### Advantages

#### **Adaptability on maximum roof sheets:**

Guardrail for Metal Roofs has been designed for a wide range of metal profile and standing seam roofs.

#### **No welding application on site:**

It is manufactured from the pipe section of standard sizes, so can be installed using the standard mechanical fasteners, no welding is

required for the installation.

#### **Standards:**

It is tested as per OSHA standards.

#### **Durability:**

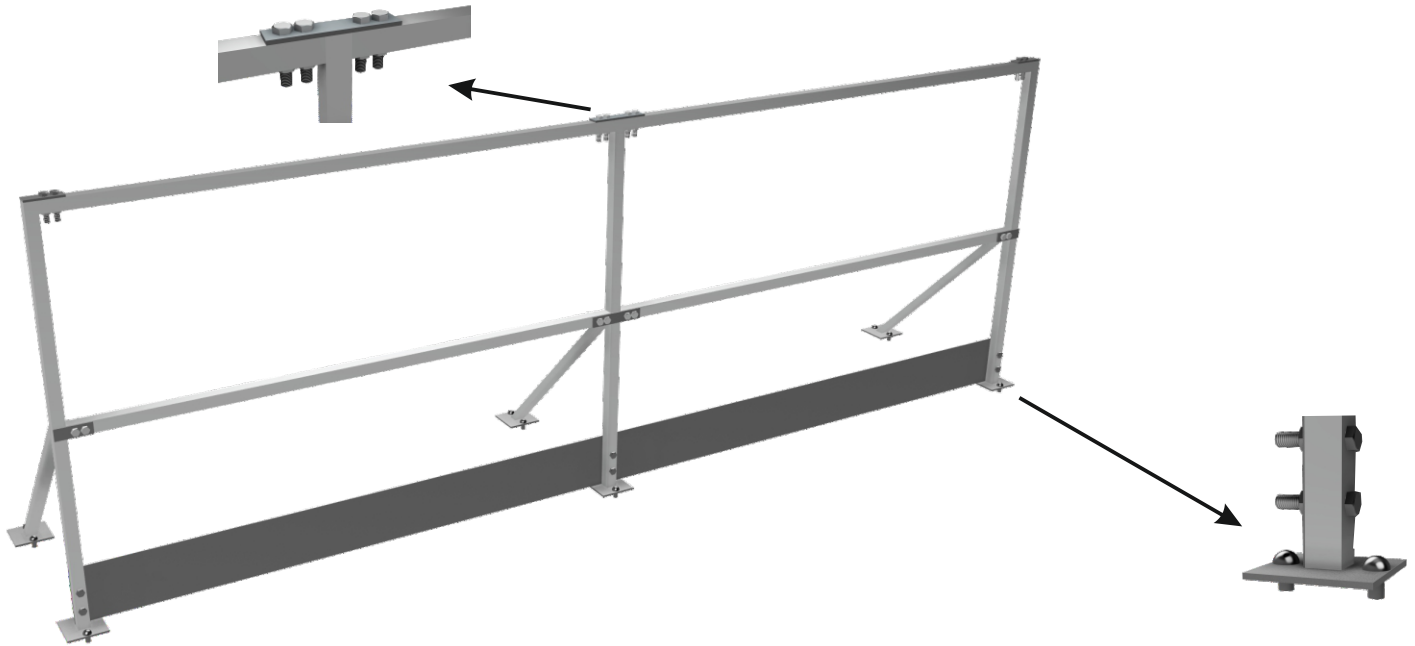
Available in Hot Dip Galvanised steel for long lasting protection, corrosion resistance and strength.

**Warning:** Guard Rail installed on the roofs, cannot be used as an Anchor Point. No person shall use this as an anchor point for working and cannot used for Material lifting.

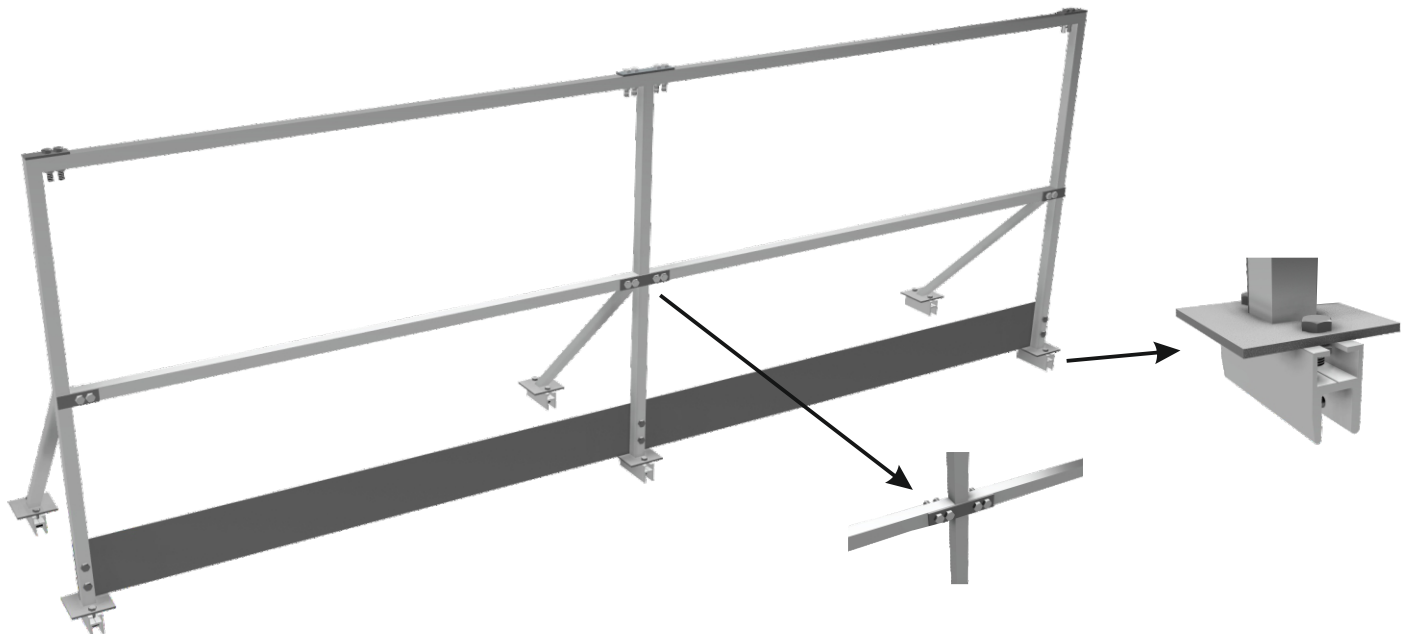


## Fixing Mechanism on the Trapezoidal Roof: \_\_\_\_\_

With the help of the Rivet/ Self Tapping Screws.



## Fixing Mechanism on the Standing Seam Roof: \_\_\_\_\_





## JAYCO SAFETY PRODUCTS (FPE) PVT. LTD.

Manufacturers & Exporters of Safety *Xtreme* Protection  
An ISO 9001:2015 Company

### CORPORATE OFFICE / FACTORY

Survey No. 189/1 & 189/2,  
Ayesha Compound, Kaman road,  
Vasai East, Palghar 401208.  
Maharashtra, BHARAT.

### REGISTERED OFFICE

D/613, Veena Sarang CHS LTD,  
Sai Baba Extn. road,  
Borivali West, Mumbai 400092.  
Maharashtra, INDIA.

### Stay connected with us

☎ +91 95104 21330

🌐 [www.jaycofpe.com](http://www.jaycofpe.com)

✉ [info@jaycofpe.com](mailto:info@jaycofpe.com)

